

NARRAGANSETT BAY COMMISSION  
ONE SERVICE ROAD  
PROVIDENCE, RI 02905

BUCKLIN POINT WWTF  
FINAL CLARIFIER, UV DISINFECTION AND OTHER MISCELLANEOUS IMPROVEMENTS  
NBC CONTRACT NO. 308.10C

ADDENDUM NO. 5  
September 6, 2022

TO ALL BIDDERS:

Bidders are hereby informed that the Contract Document for the above-mentioned contract are modified, corrected, and/or supplemented as follows and this Addendum No. 5 becomes part of the Contract Documents and consists of Items 5-1 through 5-3.

Item 5-1: This addendum modifies the bid opening date from September 8, 2022 to September 13, 2022. Time and location will remain the same.

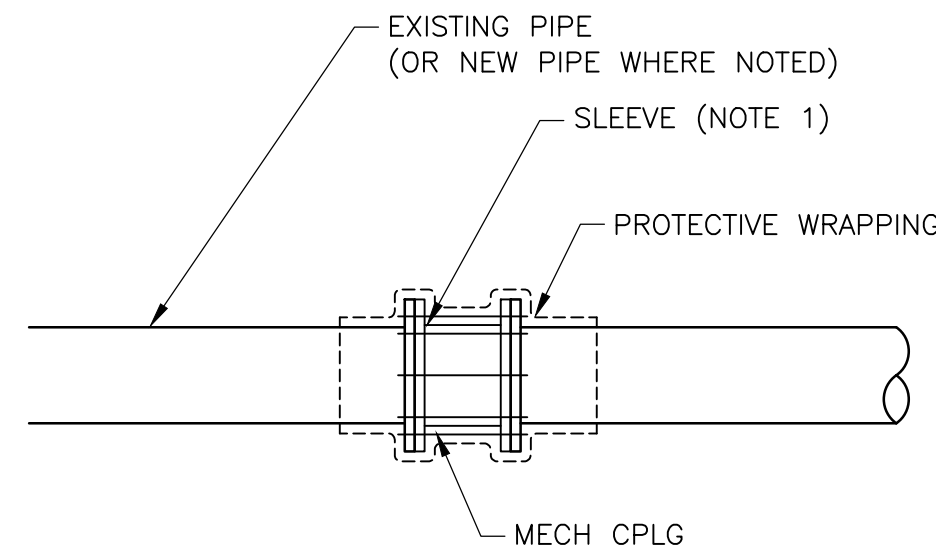
**SPECIFICATIONS**

Item 5-2: Section NTB – Notice to Bidders, first paragraph **DELETE** “September 8, 2022” and **REPLACE** with “September 13”.

**DRAWINGS**

Item 5-3: Drawing C-14 shall be **DELETED** and **REPLACED** with Drawing C-14 attached hereto (see Addendum No. 5, Attachment 1).

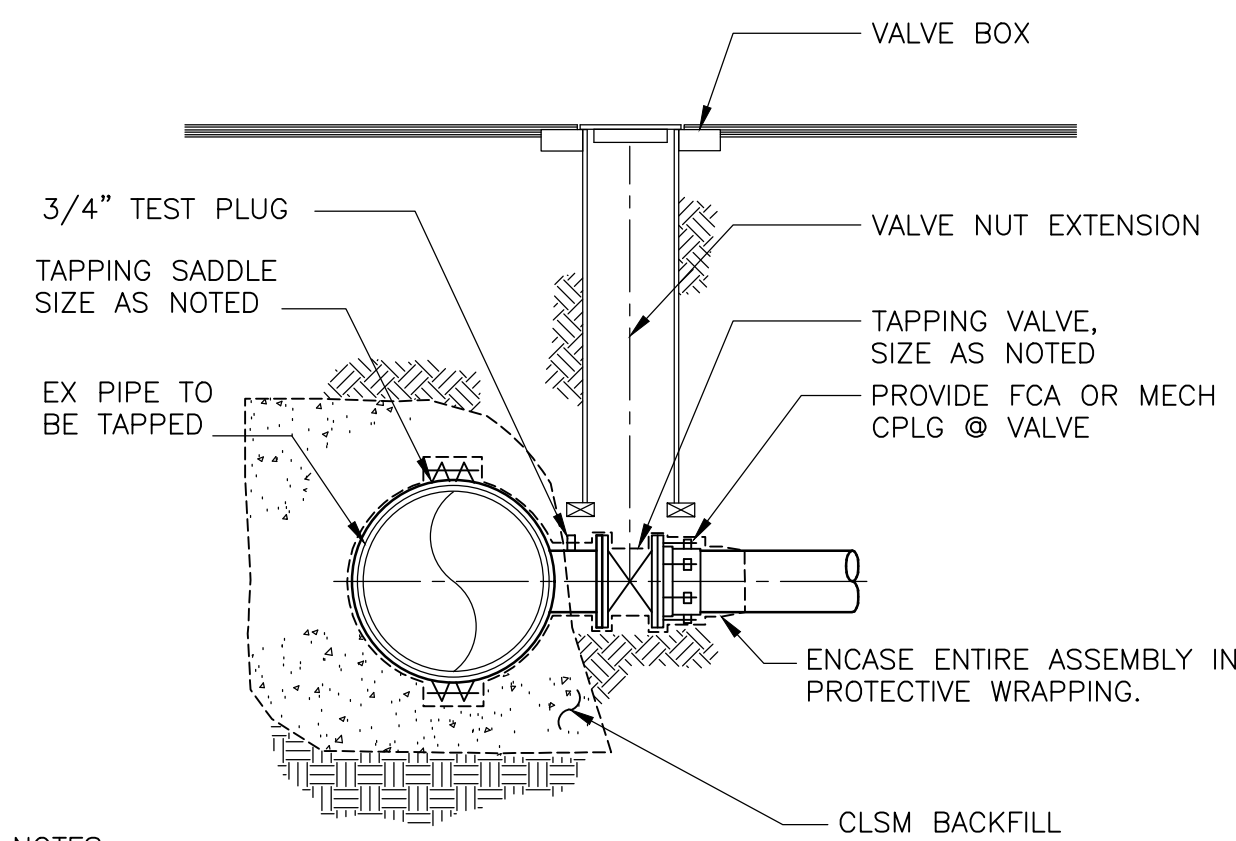
**Addendum No. 5**  
**Attachment 1: Drawings to be Replaced**



- NOTES:
1. PROVIDE ISOLATION BOOT/BONDING WHERE NOTED.
  2. PROVIDE TRANSITION COUPLING WHERE CONNECTING PIPE W/ DIFFERENT OUTSIDE DIMENSIONS.

TYPICAL MECHANICAL COUPLING

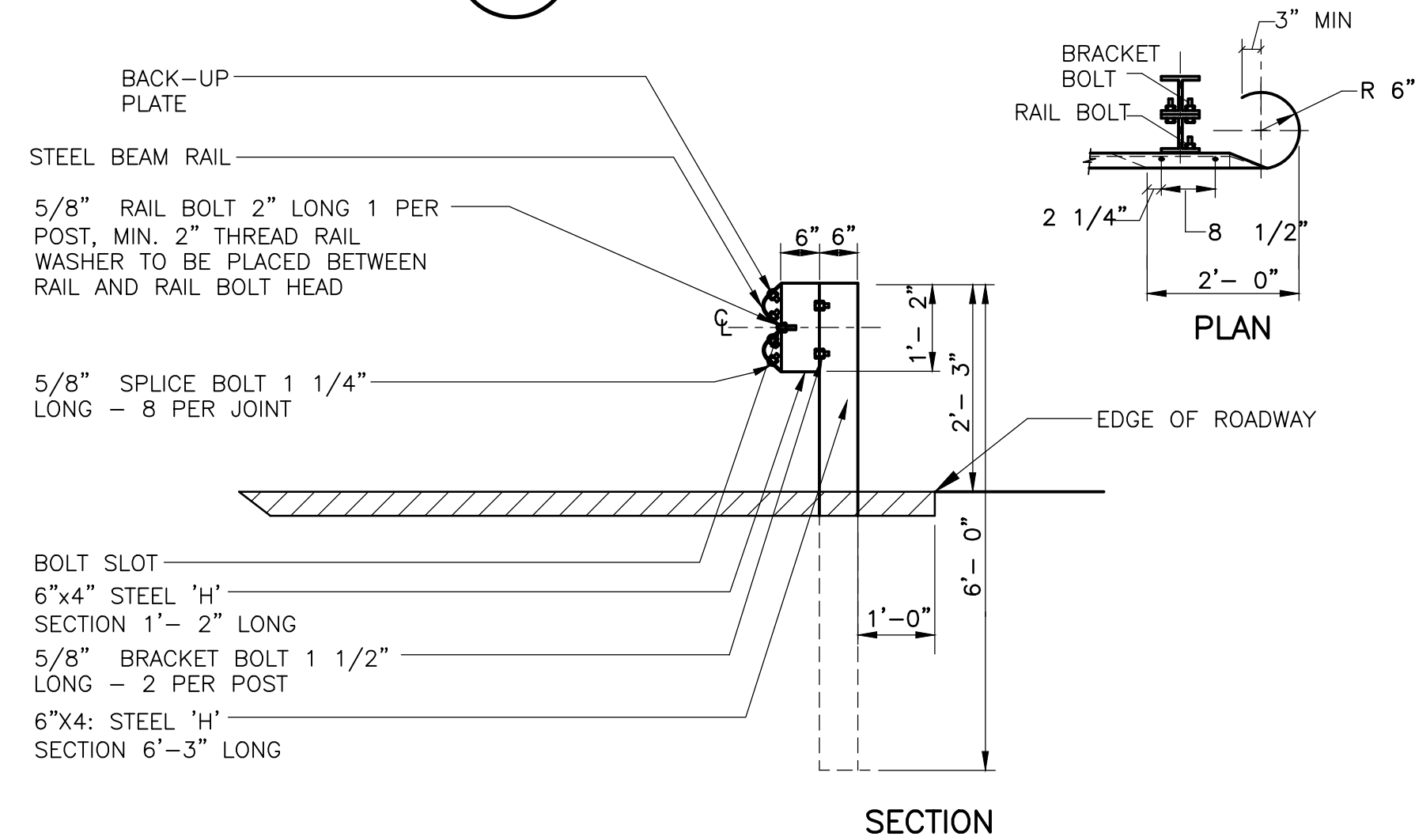
DETAIL A  
NTS C-14



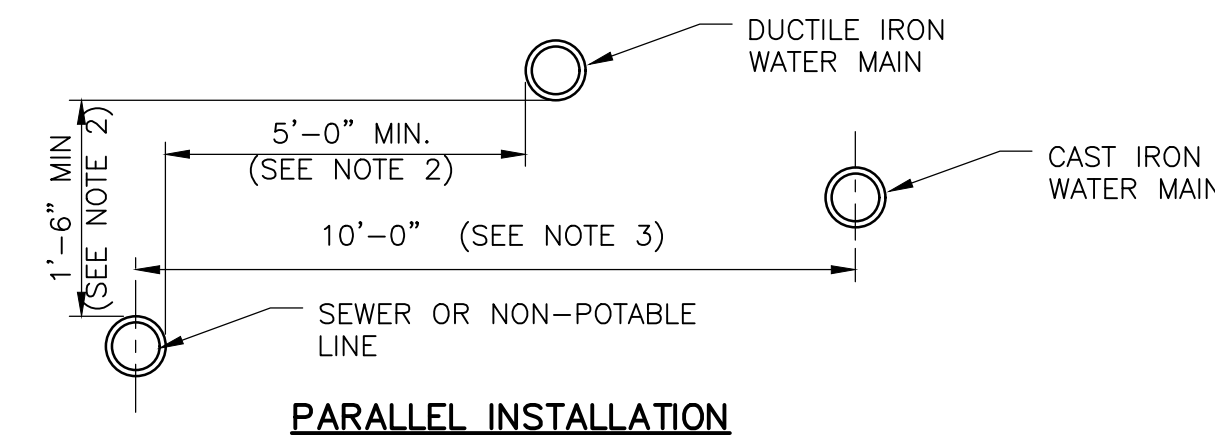
- NOTES:
1. ALL TAPPING TEE HARDWARE SHALL BE STAINLESS STEEL.

TYPICAL WET TAP WITH STRAP-ON SADDLE

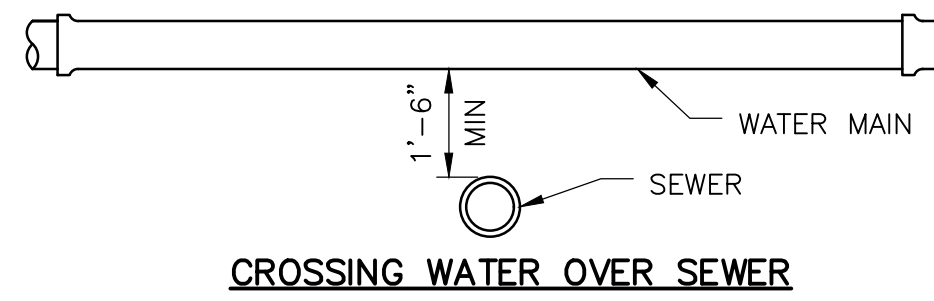
DETAIL B  
NTS C-14



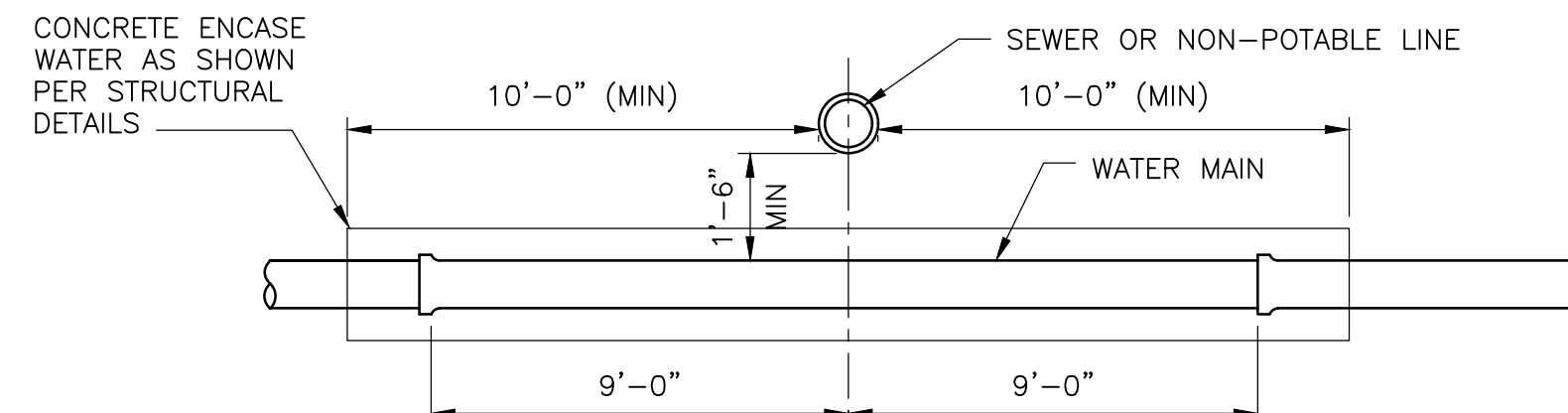
STEEL BEAM GUARDRAIL  
DETAIL G  
NOT TO SCALE C-14



PARALLEL INSTALLATION

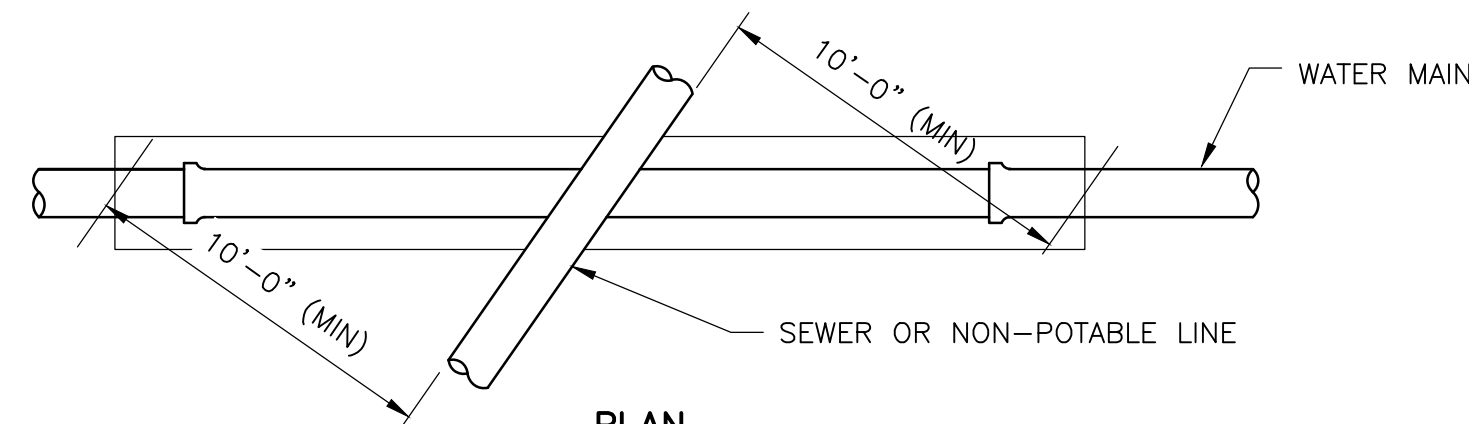


CROSSING WATER OVER SEWER



STANDARD SINGLE 18'-0" NOMINAL LENGTH DUCTILE IRON WATER MAIN SECTION CENTERED AT THE POINT OF CROSSING. WATER MAIN JOINTS WITHIN THIS DISTANCE MUST BE FULLY CONCRETE ENCASED.

SECTION

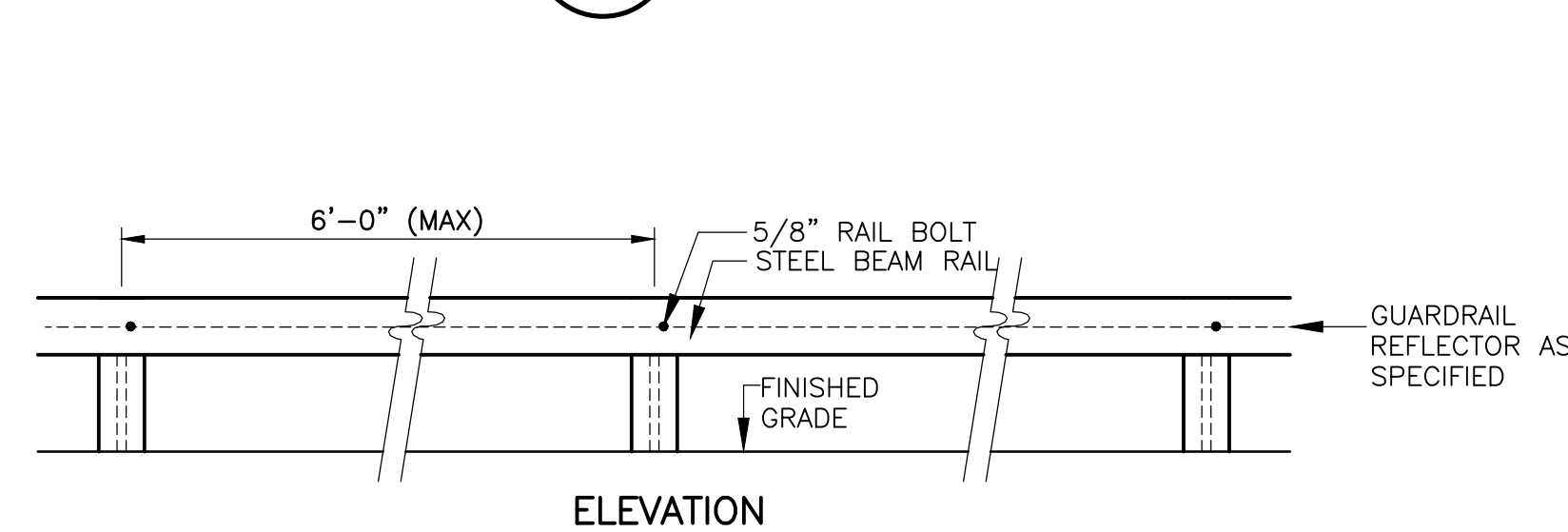


CROSSING UNDER OVER SEWER (NOTE 4)

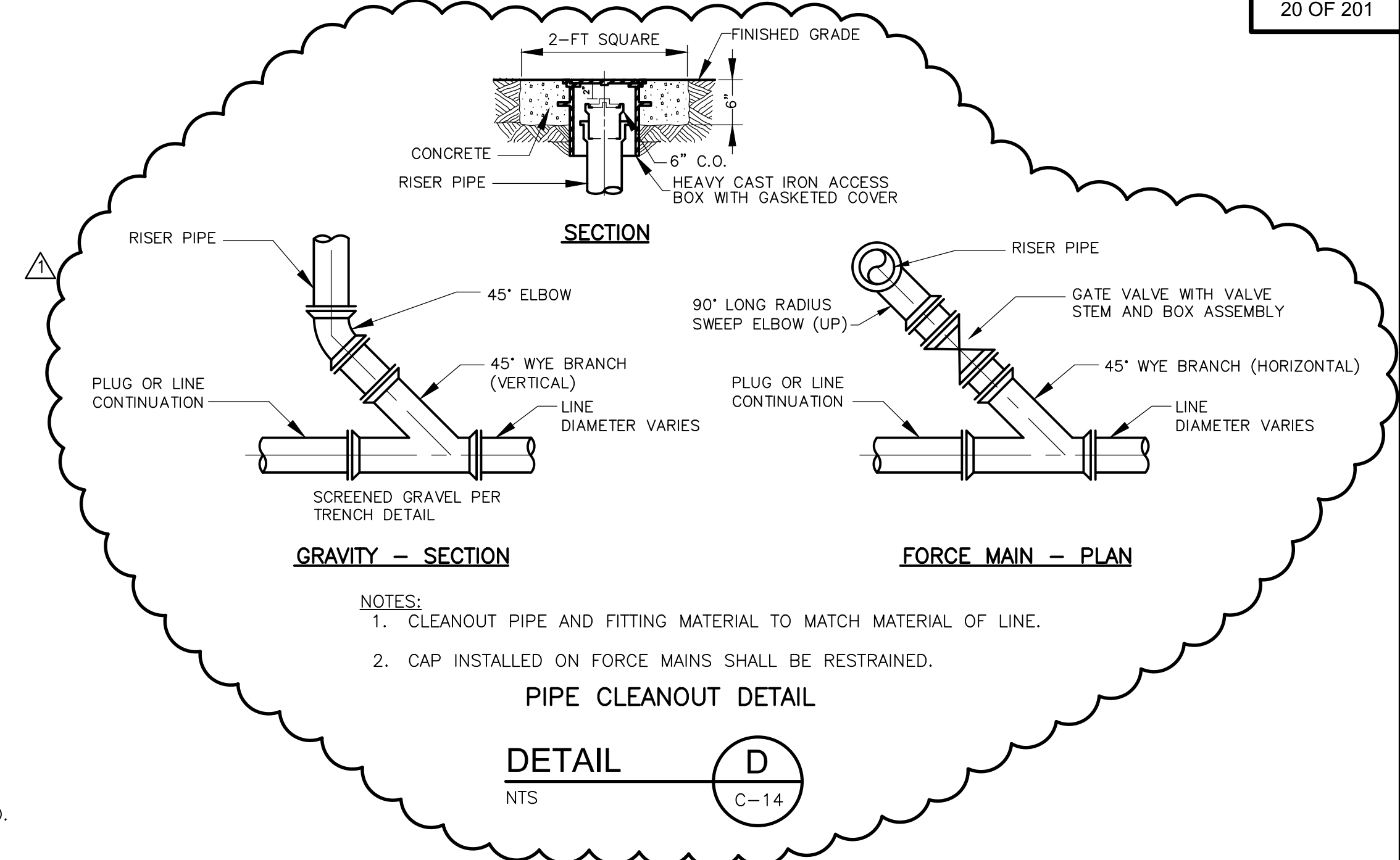
- NOTES:
1. EXCEPTIONS TO DETAIL MUST BE APPROVED BY ENGINEER.
  2. WHERE MINIMUM CLEARANCES CANNOT BE MET, SEWER MUST BE CONSTRUCTED OF MATERIALS AND WITH JOINTS THAT ARE EQUIVALENT TO WATER MAIN STANDARDS INCLUDING WATER MAIN PRESSURE TESTING REQUIREMENTS.
  3. NO VERTICAL CLEARANCE REQUIRED WHEN CONCRETE ENCASED AS SHOWN.
  4. CONCRETE ENCASEMENT FOR CROSSING PERPENDICULAR SHALL BE NO LESS THAT 10- FEET FROM EDGE OF SEWER PIPE ON EACH SIDE. FOR PIPE CROSSING OVER THE WATER LINE AT AN ANGLE, SHALL BE AS SHOWN ON THE PLAN.
  5. SEWER MUST HAVE ADEQUATE FOUNDATION SUPPORT TO PREVENT SETTLEMENT ON THE WATER MAIN AND TO PREVENT DEFLECTION OF WATER MAIN JOINTS.
  6. SEE SIMILAR DETAIL C/C-34 FOR WATER MAIN RELOCATION.

WATER MAIN (POTABLE) CLEARANCE REQUIREMENTS

DETAIL C  
NTS C-14



ELEVATION



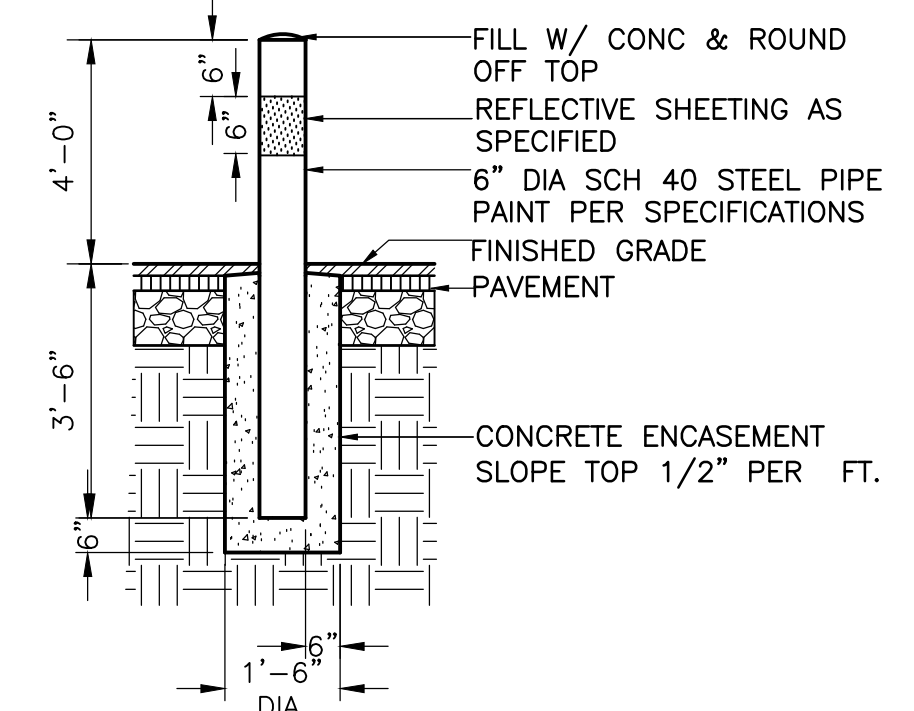
GRAVITY - SECTION

FORCE MAIN - PLAN

- NOTES:
1. CLEANOUT PIPE AND FITTING MATERIAL TO MATCH MATERIAL OF LINE.
  2. CAP INSTALLED ON FORCE MAINS SHALL BE RESTRAINED.

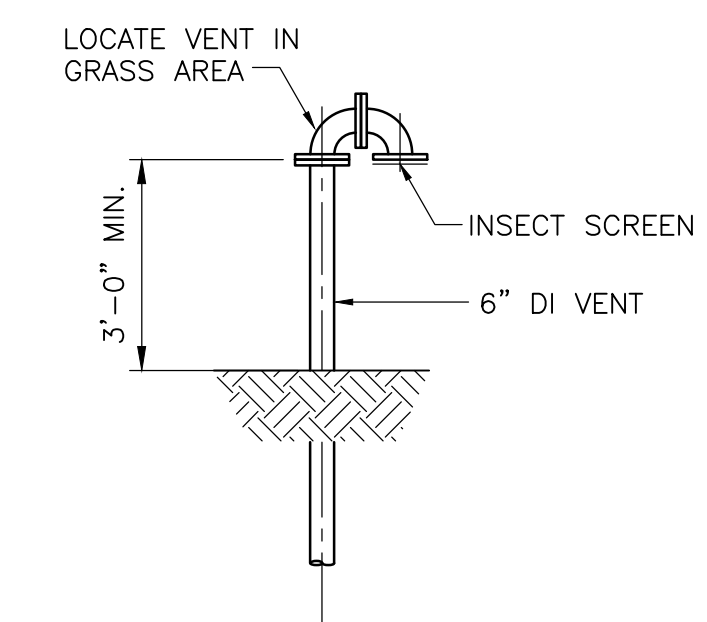
PIPE CLEANOUT DETAIL

DETAIL D  
NTS C-14



STEEL BOLLARD

DETAIL E  
NTS C-14



6" DI VENT DETAIL

DETAIL F  
NTS C-14

CDM Smith Project No: 93019-234214, NARRAGANSETT BAY COMMISSION, PHASE III COMBINED SEWER OVERFLOW PROGRAM  
File: C014CVDI.DWG; Saved by: WELDONA, 9/1/2022, 3:49 PM; Plotted on: 9/1/2022, 3:50 PM

REV	DATE	BY	DESCRIPTION
1	8/31/22	MP	REVISED PER ADDENDUM NO. 4

SCALE	AS NOTED
WARNING	IF THIS BAR DOES NOT MEASURE 1" THEN DRAWING IS NOT TO SCALE

DESIGNED	D. BORGES
DRAWN	A. WELDON
CHECKED	X

FINAL DESIGN - JUNE 2022
--------------------------

**CDM Smith**  
280 West Exchange Street, Suite 300  
Providence, RI 02903  
Tel: (401) 751-5380



NARRAGANSETT BAY COMMISSION  
PHASE III COMBINED SEWER  
OVERFLOW PROGRAM

**Stantec**

NBC CONTRACT NO 308.10C CIVIL CIVIL DETAILS V
---

SHEET C-14
---------------